

My Lamp Sphere

DESIGN | PAOLO CASTELLI



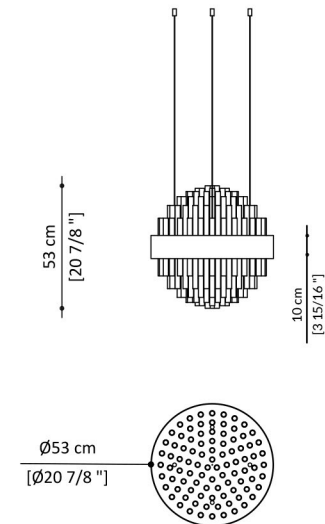
Finishes of the above picture



Metal Finish
Matt Gold

My Lamp Sphere è composto da un importante bouquet di tubi realizzati in vetro borosilicato veneziano posti ad altezze sfasate e raccolti in una fascia metallica curvata, trattata con particolare finitura a più strati oro opaco. Il telaio portante interno è realizzato in metallo nichelato.

My Lamp Sphere comprises a significant "bouquet" of venetian borosilicate glass tubes, hanging from different heights, bound together by a curved metal band with a unique finish mat gold. The internal supporting frame is made of nickel-plated metal.



TECHNICAL SHEET
MY LAMP SPHERE
Light source: STRIP LED
Total power: 40 W
Voltage: 12-24 V
Rated luminous flux: 7200 Lm
Colour temperature: 2700° K
Colour rendering index: Ra>80
Suspension cable length: 150 cm
Dimmer function: Yes
Weight: Kg 36
Package size: 72 x 72 x 75 cm
Package weight: Kg 78

SUSPENSION SPHERE | ILL.MYLA.201S
Mat gold finish

